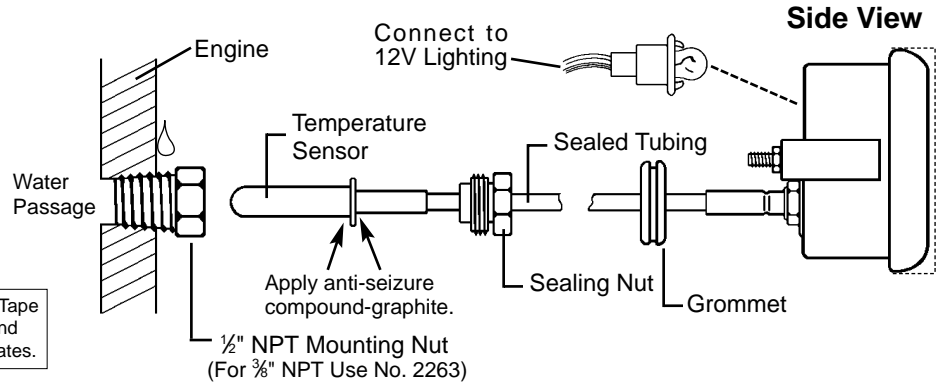


### Temperature Gauges

**IMPORTANT:** Should you ever need to remove the temperature sensor, loosen the sealing nut without allowing the mounting nut to rotate. Remove temperature sensor and mounting if necessary. Failure to follow this procedure may break capillary tubing internally, thus, voiding warranty.

Use Teflon Sealing Tape or Sealing Compound where symbol indicates.



### Installation

**NOTE:** Some late model vehicles use electronic sensors in their pressure and temperature senders for engine control functions. Before removing original sender, we recommend that you contact your automotive dealer to be sure no critical functions will be disrupted. When installing a new pressure gauge, it is beneficial to use a "T" fitting to keep the warning light operational. This allows you to monitor the pressure and still have a warning light to indicate emergency conditions.

1. Gauge can be mounted in-dash in a 2<sup>5</sup>/<sub>8</sub>" dia. hole in Auto Meter gauge mounting panels or in Auto Meter gauge mounting cups 3203 or 3204.
2. Cut a 7/8" hole in firewall and route temperature sensor at end of gauge tubing through hole. Slit the rubber grommet and position in hole so gauge tubing is held firmly in place. If a gauge mounting cup is used, install additional grommet in back of cup in same manner.
3. Insert and tighten mounting nut in the 1/2" pipe threaded outlet on engine. (For engines with 3/8" outlet use Auto Meter no. 2263.) Insert sensor in the mounting nut and carefully tighten with sealing nut. Apply an anti-seizure compound-graphite to avoid seizure of the temperature sensor to the sealing nut.

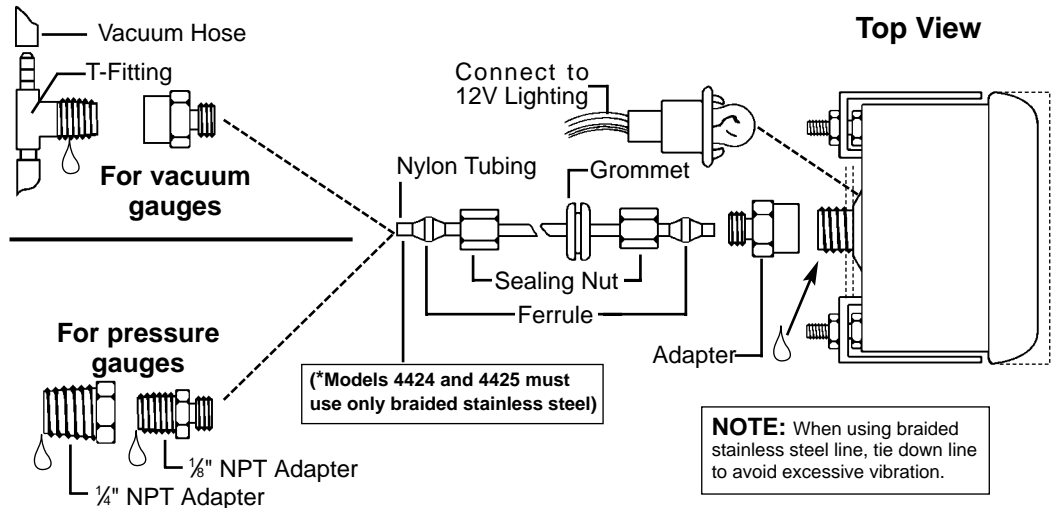
**NOTE:** Do not over tighten sealing nut. A 1/4 turn beyond snug should be sufficient. Make sure gauge tubing is routed away from hazardous moving parts or hot engine components. The Oil Temperature gauges and Transmission Temperature gauges usually require drilling a hole and welding the Auto Meter no. 2261 steel weld fitting in the oil or transmission pan. Check for adequate internal clearance for the temperature sensor. Install temperature sender as described above.

4. To use remote transmission temperature adapter, install an Auto Meter no. 2286 for 3/8" tubing or no. 2287 for 5/16" tubing in transmission line leading from transmission using compression and NPT fittings provided.
5. Start engine and inspect installation for any leaks.
6. Snap in light socket assembly and connect to dash lighting circuit or other 12 volt source.

### Pressure & Vacuum

For high pressure models 4424 (0-400 PSI) and 4425 (0-600 PSI) use only braided stainless steel line.  
For Model 4426 Brake Pressure, see back.

Use Teflon Sealing Tape or Sealing Compound where symbol indicates.



**NOTE:** When using braided stainless steel line, tie down line to avoid excessive vibration.

### Installation

**NOTE:** Some late model vehicles use electronic sensors in their pressure and temperature senders for engine control functions. Before removing original sender, we recommend that you contact your automotive dealer to be sure no critical functions will be disrupted. When installing a new pressure gauge, use a "T" fitting to keep the warning light operational. This allows you to monitor the pressure and still have a warning light to indicate emergency conditions.

1. Gauge can be mounted in-dash in a 2<sup>5</sup>/<sub>8</sub>" diameter hole or in Auto Meter gauge mounting cups 3201 or 3202. Mounting cup is included with the Black Fuel Saver & Chrome Fuel Saver Vacuum Gauges.
2. Drill 3/8" diameter holes and install rubber grommets provided where pressure or vacuum line passes through sheet metal (such as firewall).

3. Attach nylon pressure line to fitting on back of gauge using adapter nut, ferrule, and sealing nut as shown in diagram above. Route line through grommets to engine compartment. Connect line to pressure outlet on engine by using 1/8" adapter (1/4" if necessary), ferrule, and sealing nut for boost and pressure gauges, or 1/8" adapter and "T" fitting for vacuum gauges.  
**NOTE:** Do not over tighten sealing nut. Tighten 1/4 turn beyond snug.
4. Make sure line is routed from moving parts or hot engine components. Where a potential hazard exists, it is recommended that a quality braided stainless steel pressure line be used (3227 or 3228). Start engine and inspect installation for any leaks.
5. Snap the light socket assembly in the gauge. Connect the white wire to the dash lighting circuit or other 12 volt light source. Connect the black wire to a good ground.

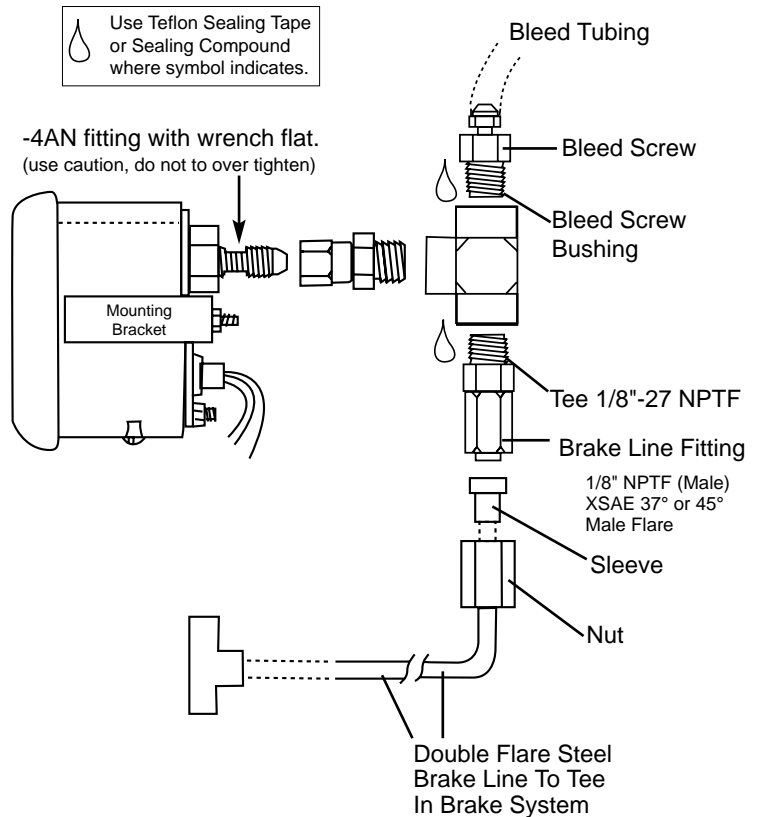
# Brake Pressure

Model: 4426

## WARNING:

ONLY double flared brake line may be used to install this gauge. All fittings you use must have a minimum working pressure of 2000 PSI.

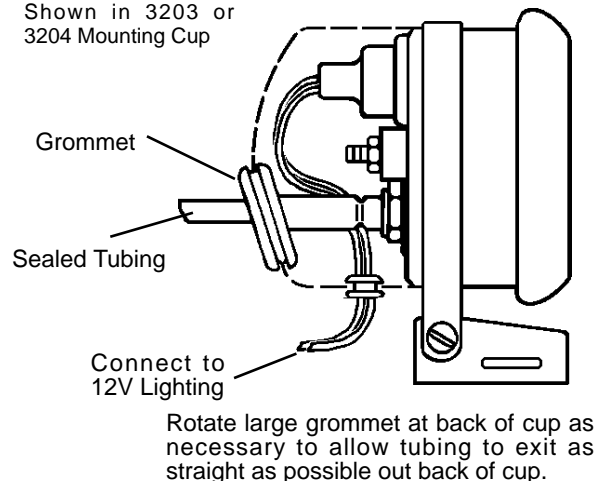
1. If you are not familiar with proper brake system bleeding procedure, do not install this gauge. Have a qualified mechanic do it for you.
2. Install gauge in 2 5/8" dia. dashboard hole or use under dash panels. Secure gauge with the mounting bracket provided. NOTE: If mounting gauge other than in-dash or under dash, mounting provisions may have to be determined by the installer.
3. Secure bleed screw, bleed screw bushing, and brake line fitting to the tee provided with the gauge as shown above.
4. Secure the tee assembly from Step 3 to the gauge port. Be sure not to over tighten as this can cause the movement to loosen in the case.
5. Install a tee at the brake system location suitable for your application.
6. Install steel double flare brake line between gauge and tee.
7. Connect WHITE light wire to the dash lighting circuit or other 12V source. Connect the BLACK light wire to a suitable ground.
8. Bleed your gauge and brake system using standard brake bleeding procedure. If you are not familiar with proper brake system bleeding procedure, do not install this gauge. Have a qualified mechanic do it.



## Optional Cup Mounting

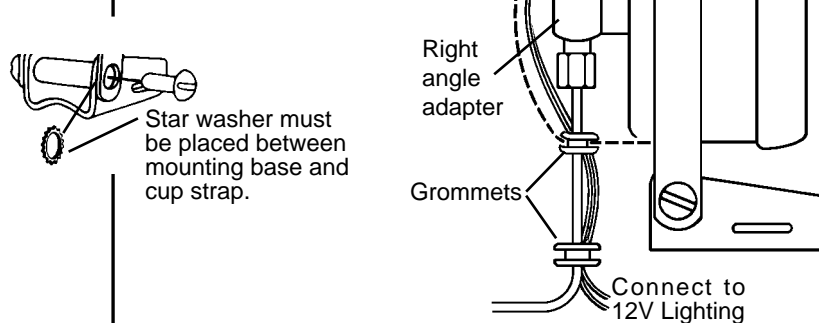
### Temperature

Shown in 3203 or 3204 Mounting Cup



### Pressure & Vacuum

Models: For the Black Fuel Saver & Chrome Fuel Saver Vacuum Gauges, or when using optional 3201 or 3202 mounting cup.



## SERVICE

For service send your product to Auto Meter in a well packed shipping carton. Please include a note explaining what the problem is along with your phone number. Please specify when you need the product back. If you need it back immediately mark the outside of the box "RUSH REPAIR," and Auto Meter will service product within two days after receiving it. (\$10.00 charge will be added to the cost of "RUSH REPAIR.") If you are sending product back for Warranty adjustment, you must include a copy (or original) of your sales receipt from the place of purchase.

## 12 MONTH LIMITED WARRANTY

Auto Meter Products, Inc. warrants to the consumer that all Auto Meter High Performance products will be free from defects in material and workmanship for a period of twelve (12) months from date of the original purchase. Products that fail within this 12 month warranty period will be repaired or replaced at Auto Meter's option to the consumer, when it is determined by Auto Meter Products, Inc. that the product failed due to defects in material or workmanship. This warranty is limited to the repair or replacement of parts in the Auto Meter instruments. In no event shall this warranty exceed the original purchase price of the Auto Meter instruments nor shall Auto Meter Products, Inc. be responsible for special, incidental or consequential damages or costs incurred due to the failure of this product. Warranty claims to Auto Meter must be transportation prepaid and accompanied with dated proof of purchase. This warranty applies only to the original purchaser of product and is non-transferable. All implied warranties shall be limited in duration to the said 12 month warranty period. Breaking the instrument seal, improper use or installation, accident, water damage, abuse, unauthorized repairs or alterations voids this warranty. Auto Meter Products, Inc. disclaims any liability for consequential damages due to breach of any written or implied warranty on all products manufactured by Auto Meter.

FOR SERVICE SEND TO: AUTO METER PRODUCTS, INC. 413 W. Elm St., Sycamore, IL 60178 USA (815) 895-8141