


DYNAPRO BIG BRAKE FRONT HAT KITS


KIT FEATURES

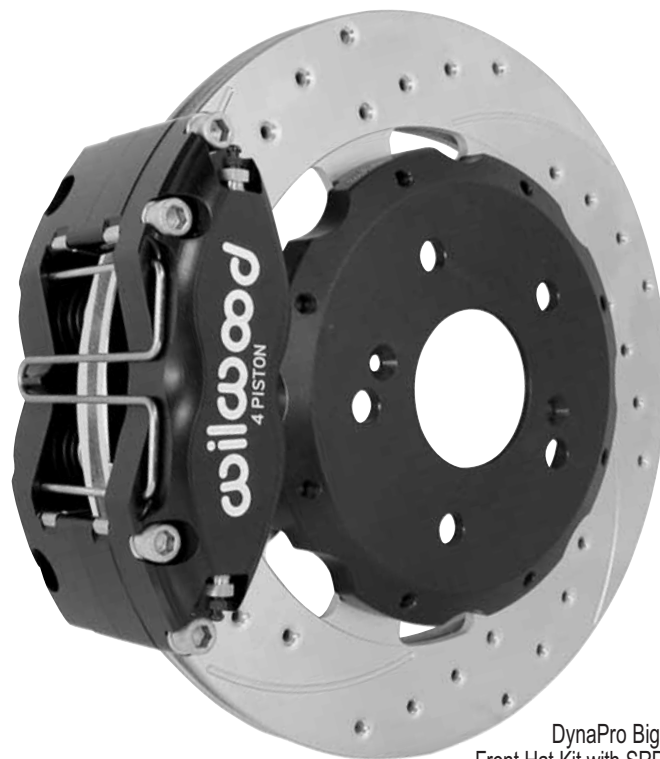
Complete systems with aluminum hats to mount 12.19" vented rotors over OE type front hub assemblies

Big brake looks and stopping power to compliment wheel, tire, and suspension system upgrades

ABS compatible

 Calipers available in black

 Calipers available in red



DynaPro Big Brake Front Hat Kit with SRP Rotor

KIT COMPONENTS

FORGED BILLET DYNAPRO 4 PISTON CALIPERS

The DynaPro four-piston radial mount caliper is a combination of process and design. The process of stress-flow forging re-aligns the metal's grain structure within the contour of the caliper body. This eliminates the stresses and interruptions to the internal grain structure that occur when machining a straight block billet. The FEA generated radial transition design eliminates steps and shoulders in the area between the piston housing body and the caliper bridges. Incorporating a radius in this critical area substantially increases resistance to deflection and caliper separation. The DynaPro uses a new 7816 type brake pad that is supported from the top by Quick-Clip pad retainers. This eliminates the need for a pad support step in the bottom of the caliper and adds additional clearance for mounting closer to the hub on small wheel and rotor applications. The Quick-Clips also accommodate easy pad access without caliper removal. Other features include coated aluminum pistons fitted with high temperature rubber boots that seal out dirt, moisture, and debris from the piston bores. Every caliper is equipped with Wilwood's SRS stainless steel bridge plates. The SRS plates eliminate the bridge wear caused by pad gouging. The spring-loading action of the SRS plates also eliminates pad rattle and dampens the vibration harmonics that contribute to squeal under braking. Internal fluid passages eliminate the need for external tubes. Four corner bleed screws assure simple and effective air evacuation and allow one caliper to be mounted in any front, rear, right or left position. NOTE: For sustained high temperature operation in severe duty competition, the DynaPro can be fitted with one piece stainless steel or Wilwood's exclusive Thermlock® piston technology without the dust boots.

GT SERIES ROTOR MOUNTING HATS

GT aluminum hats are lightweight and strong. The hats are specially designed for use on the OE hubs without modifications or interference to the suspension or ABS components. The hats carry Wilwood's signature and a black anodized finish that prevents corrosion and enhances the overall appearance of the complete package inside the wheel.

12.19" VENTED IRON ROTORS

12.19" vented iron rotors add stopping power and cooling capacity over smaller diameter OE rotors. All Wilwood rotors are manufactured from premium grade, long grain carbon iron to provide long wear with high thermal stability and resistance to distortion. The superior heat absorption and dissipation qualities of a vented iron rotor are essential to preventing heat fade and realizing the longest service life from the pads and rotors. Every kit in this group includes a 12.19" diameter SRP or HP series rotor.

SRP ROTORS

For custom, show, and high performance sport driving, SRP rotor kits offer the high-tech look and improved performance of a directional cross-drill and face slot pattern. In addition to their aesthetic appeal, the venting and cleaning action of the holes and slots will reduce pad glaze, dissipate surface heat, and minimize irregular pad build-up on the rotor faces. The results are smoother engagement with improved consistency and response at the pedal. SRP rotors are treated with a silver zinc wash to reduce corrosion on the areas of the rotor not kept clean by pad contact.

HP ROTORS

HP rotor kits include close tolerance machined smooth face rotors. The additional mass of the HP rotor extends service life on heavier competition vehicles and severe duty applications subject to higher sustained operating temperatures.

WILWOOD BRAKE PADS

Wilwood brake pads are a low dust, low noise improved friction formula. They have fast response, high resistance to fade, long wear, and the low rotor abrasion that Wilwood is so well known for. Specific information on Wilwood Smart Pad, PolyMatrix and ProMatrix brake pad compounds can be found on pages 58-60.

CALIPER BRACKETS AND HARDWARE

Aluminum mount brackets with steel threaded bolt hole inserts are lightweight and strong. Each bracket is CNC machined for precise fit on each specific spindle. Grade 8 or higher and AN style nuts, bolts, washers and alignment shims are included in all applicable kits.

PLUMBING

Fittings and flexlines to install these brake systems must be ordered separately. Applicable hose kit part numbers are listed next to the kits in the ordering information. Fittings and premium stainless steel flexline kits can also be found on pages 55-57.

NOTE Installation of Wilwood Disc Brake Kits may affect the wheel offset. Reference Wilwood wheel clearance diagrams available on our web site.

ORDERING INFORMATION: KITS

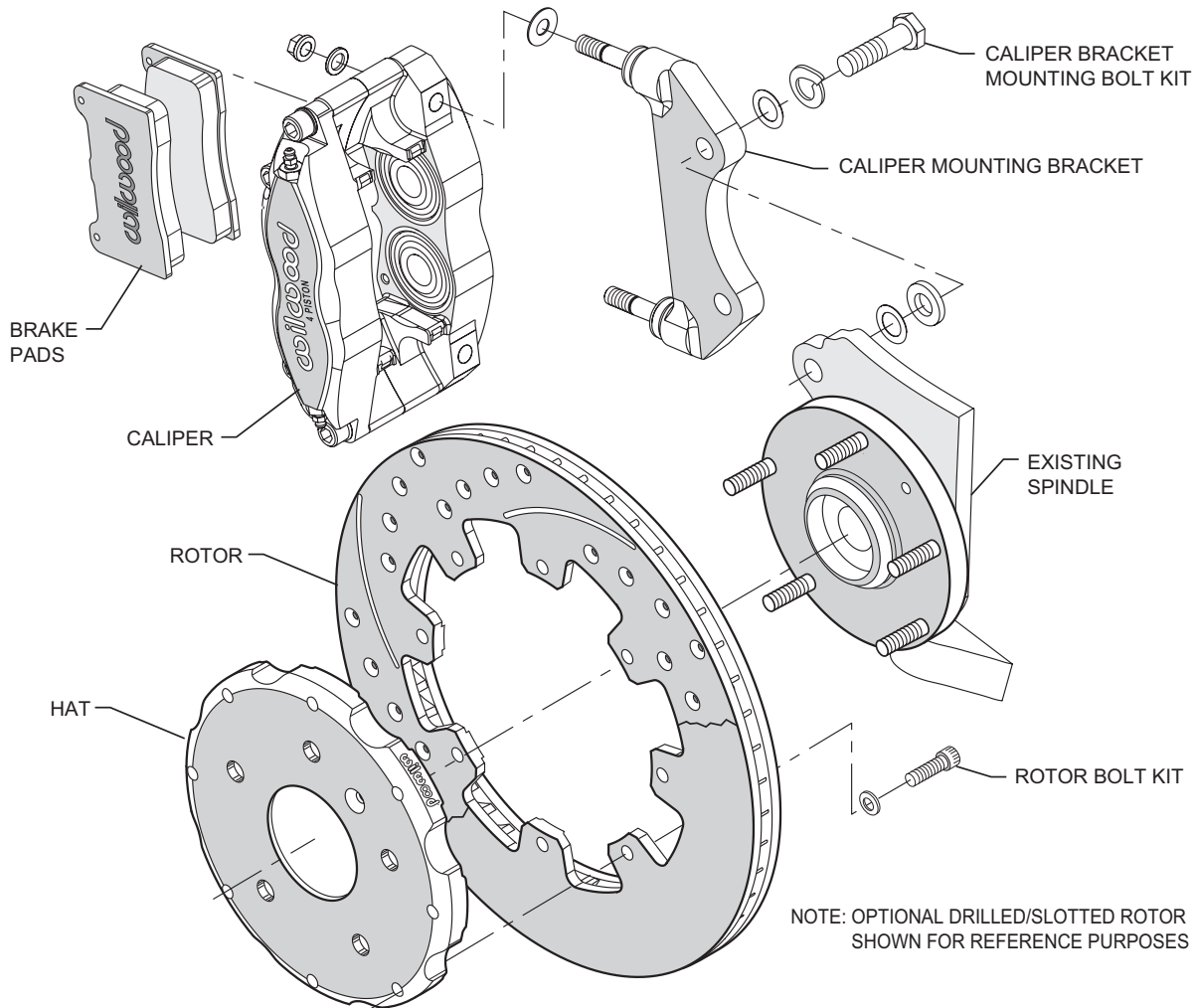
MAKE	YEAR	OE SPINDLE TYPE	NOTES	KIT PART NUMBERS		HOSE KIT
				BLACK CALIPER HP ROTOR	BLACK CALIPER SRP ROTOR	
Audi						
TT	1999-05	Disc		140-8276	140-8276-D	220-8339
BMW						
Mini Cooper and Cooper S	2002-05	Disc		140-8528	140-8528-D	220-8491
Mini Cooper and Cooper S-Race	2002-05	Disc	(1)	140-8740		220-8491
Chevrolet						
Cavalier	1995-04	Disc		140-8423	140-8423-D	220-8422
Mitsubishi						
Eclipse Gen II	1995-99	Disc		140-8292	140-8292-D	220-8293
Pontiac						
Sunfire	1995-04	Disc		140-8423	140-8423-D	220-8422
Subaru						
Impreza WRX	1999-05	Disc	(2)	140-9193	140-9193-D	220-9198
Volkswagen						
Beetle 1.8T	1998-05	Disc		140-8276	140-8276-D	220-8339
Golf IV, 1.8T and VR6	1999-05	Disc		140-8276	140-8276-D	220-8339
Jetta IV, 1.8T and VR6	1999-05	Disc		140-8276	140-8276-D	220-8339

NOTE: (1) Rotors are 11.75" diameter for 15" racing wheels
 (2) Rotor is 12.00" diameter

FOR USER SERVICEABLE COMPONENTS ORDERING INFORMATION, SEE PAGE 51

MAJOR BRAKE KIT COMPONENTS

TYPICAL DYNAPRO BIG BRAKE FRONT HAT KIT
 Major Components Identified



DISCLAIMER

Wilwood engineers brake kits and components for a wide variety of racing and high performance driving applications. It is the responsibility of the end user to choose the parts that are best suited for the braking demands encountered by his

or her vehicle. Vehicle speed and weight, along with environmental conditions should always be taken into account when selecting and installing the kit or component that's right for you. See page 9 for complete disclaimer of warranty.