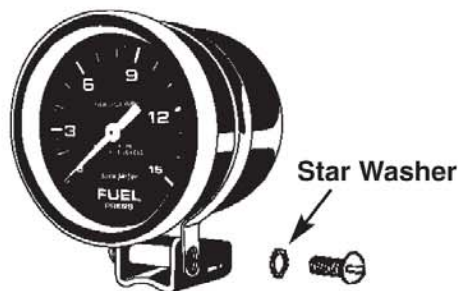




INSTRUCTIONS FOR 3 3/8" GAUGE MOUNTING CUPS

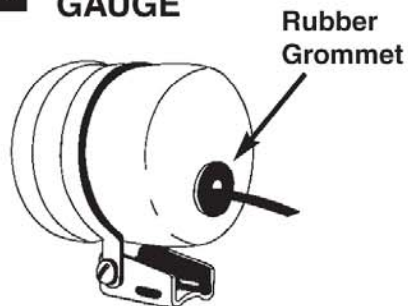
MODELS: 5203, 5204

A ASSEMBLY (Applies to all Gauge Types)



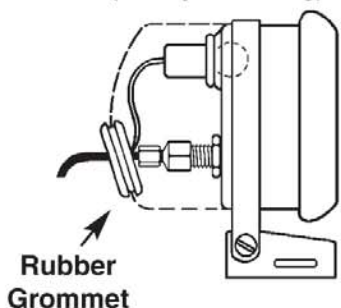
Mounting cups assemble as shown. Mounting base can be used in either direction. Star washer must be placed between mounting base and cup strap.

B TEMPERATURE GAUGE



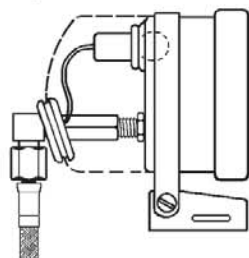
This mounting cup allows capillary tubing on temperature gauges to exit straight out the back as shown. It is important not to make severe bends in tubing or the tubing may break, voiding the warranty.

C PRESSURE GAUGE (For Nylon Tubing)



This mounting cup allows the nylon tubing to exit straight out the back as shown.

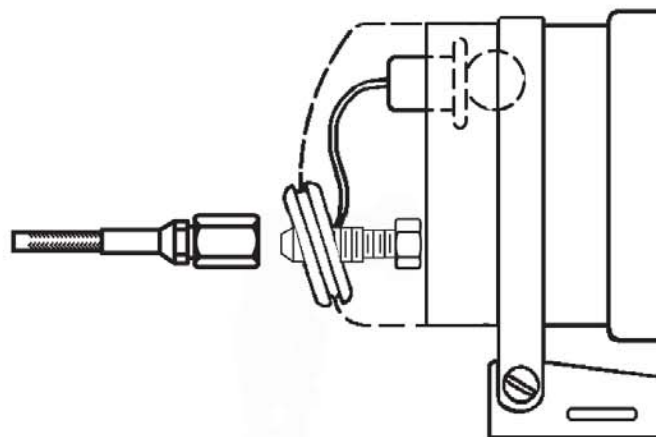
D PRESSURE GAUGE WITH NPT FITTINGS (Stainless Steel Tubing)



This mounting cup allows the tubing to exit straight out of the back as shown. The extensions and right angle fitting should be used.

E PRESSURE GAUGE WITH AN FITTINGS (Stainless Steel Tubing)

For Fuel, Brake, and Nitrous pressure gauges AN fittings are used instead of standard pipe fittings.



For some applications it may be necessary to use a -4AN elbow fitting (pictured on right). Either a 90° elbow fitting (Auto Meter model number 3274) or 45° elbow fitting (Auto Meter model number 3273) can be used in the application. These fittings can be purchased through Auto Meter or your local high performance dealer.

Note: To make installation easier install the hose kits and the elbow fittings before installing the cup.

