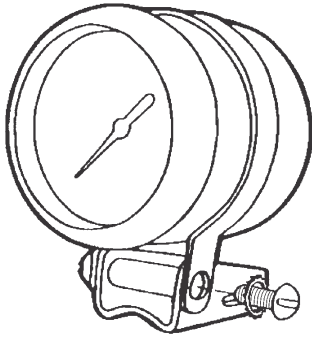


INSTRUCTIONS FOR 2 1/16" GAUGE MOUNTING CUPS

For use with any mechanical or electrical gauge.



ASSEMBLY

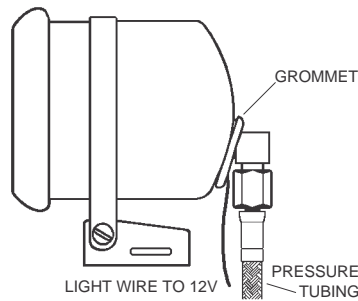


INSTALLATION:

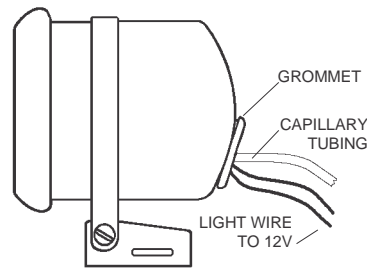
1. Install mounting base using 2 sheet metal screws or stainless steel hose clamp (not included).
2. Attach strap loosely to base using (2) 10-32x1/2 screws with lockwashers and threaded spacer.
3. Slide the mounting cup into the mounting strap and tighten the strap mounting screws.

NOTE: When using 2121, 2203 or 2204 cups, studs on white plastic case must be shortened approximately 1/4 to 3/8".

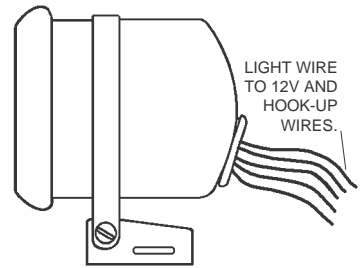
MECHANICAL PRESSURE



MECHANICAL TEMPERATURE

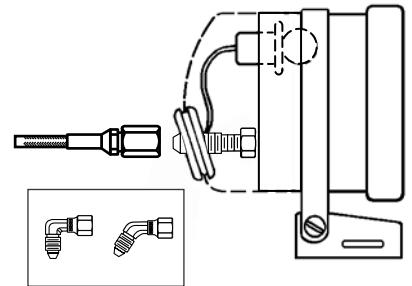


ELECTRICAL



For some applications it may be necessary to use a -4AN elbow fitting (pictured on right). Either a 90° elbow fitting (Auto Meter model number 3274) or 45° elbow fitting (Auto Meter model number 3273) can be used in the application. These fittings can be purchased through Auto Meter or your local high performance dealer.

Note: To make installation easier install the hose kits and the elbow fittings before installing the cup.



FOR SERVICE SEND TO: AUTO METER PRODUCTS, INC. 413 W. Elm St., Sycamore, IL 60178 USA (815) 895-8141

Email: service@autometer.com

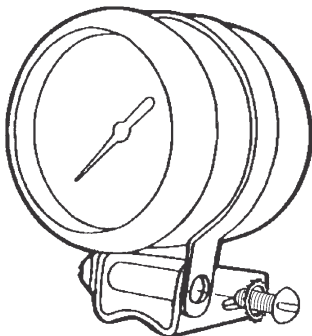
© 2002 Auto Meter Products, Inc. 2/25/02

INSTRUCTIONS FOR 2 1/16" GAUGE MOUNTING CUPS

For use with any mechanical or electrical gauge.



ASSEMBLY

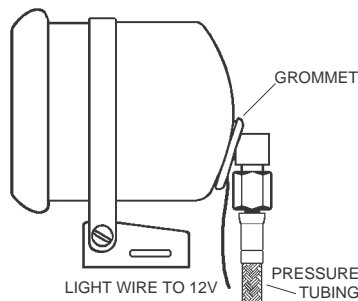


INSTALLATION:

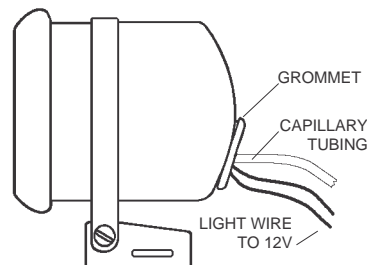
1. Install mounting base using 2 sheet metal screws or stainless steel hose clamp (not included).
2. Attach strap loosely to base using (2) 10-32x1/2 screws with lockwashers and threaded spacer.
3. Slide the mounting cup into the mounting strap and tighten the strap mounting screws.

NOTE: When using 2121, 2203 or 2204 cups, studs on white plastic case must be shortened approximately 1/4 to 3/8".

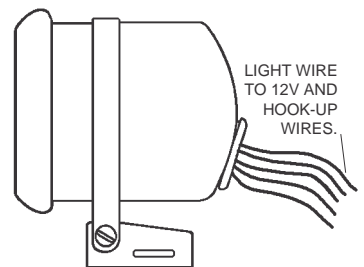
MECHANICAL PRESSURE



MECHANICAL TEMPERATURE

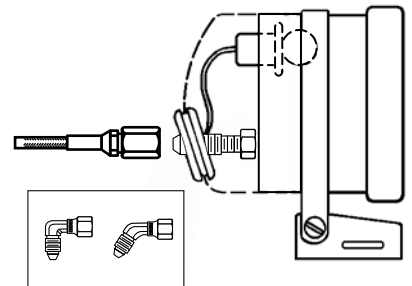


ELECTRICAL



For some applications it may be necessary to use a -4AN elbow fitting (pictured on right). Either a 90° elbow fitting (Auto Meter model number 3274) or 45° elbow fitting (Auto Meter model number 3273) can be used in the application. These fittings can be purchased through Auto Meter or your local high performance dealer.

Note: To make installation easier install the hose kits and the elbow fittings before installing the cup.



FOR SERVICE SEND TO: AUTO METER PRODUCTS, INC. 413 W. Elm St., Sycamore, IL 60178 USA (815) 895-8141

Email: service@autometer.com

© 2002 Auto Meter Products, Inc. 2/25/02