

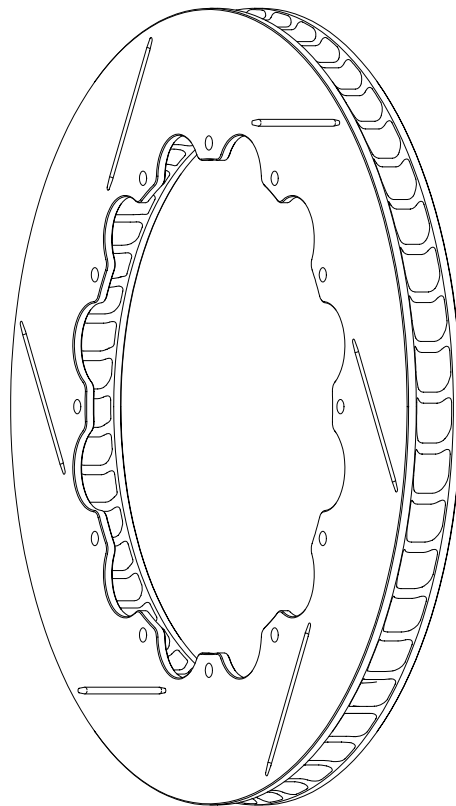
## advantage ventilated discs

---

### Options

---

DV256/25/47-6/139L:	Disc left hand	Ø256x25.4mm
DV256/25/47-6/139R:	Disc right hand	Ø256x25.4mm
DV267/21/56-6/139L:	Disc left hand	Ø267x21mm
DV267/21/56-6/139R:	Disc right hand	Ø267x21mm
DV280/23/44-8/177L:	Disc left hand	Ø280x22.9mm
DV280/23/44-8/177R:	Disc right hand	Ø280x22.9mm
DV280/25/53-8/159L:	Disc left hand	Ø280x25.4mm
DV280/25/53-8/159R:	Disc right hand	Ø280x25.4mm
DV295/25/53-12/178L:	Disc left hand	Ø295x25.4mm
DV295/25/53-12/178R:	Disc right hand	Ø295x25.4mm
DV295/28/53-12/178L:	Disc left hand	Ø295x28mm
DV295/28/53-12/178R:	Disc right hand	Ø295x28mm
DV304/25/51-12/178L:	Disc left hand	Ø304x25.4mm
DV304/25/51-12/178R:	Disc right hand	Ø304x25.4mm
DV304/28/55-12/178L:	Disc left hand	Ø304x28mm
DV304/28/55-12/178R:	Disc right hand	Ø304x28mm
DV315/28/50-12/203L:	Disc left hand	Ø315x28mm
DV315/28/50-12/203R:	Disc right hand	Ø315x28mm
DV325/28/53-12/203L:	Disc left hand	Ø325x28mm
DV325/28/53-12/203R:	Disc right hand	Ø325x28mm
DV330/32/55-12/203L:	Disc left hand	Ø330x32mm
DV330/32/55-12/203R:	Disc right hand	Ø330x32mm
DV343/28/55-12/218L:	Disc left hand	Ø343x28mm
DV343/28/55-12/218R:	Disc right hand	Ø343x28mm
DV355/28/54-12/235L:	Disc left hand	Ø355x28mm
DV355/28/54-12/235R:	Disc right hand	Ø355x28mm
DV355/32/54-12/235L:	Disc left hand	Ø355x32mm
DV355/32/54-12/235R:	Disc right hand	Ø355x32mm
DV378/32/48-12/260L:	Disc left hand	Ø378x32mm
DV378/32/48-12/260R:	Disc right hand	Ø378x32mm



### Key features and benefits

---

- Cast iron alloy unique to Alcon – increased friction, resistance to thermal shock and wear performance
- Curved vanes for increased airflow – optimised cooling
- Grooved friction face – aids removal of pad dust and gases

### Specification

---

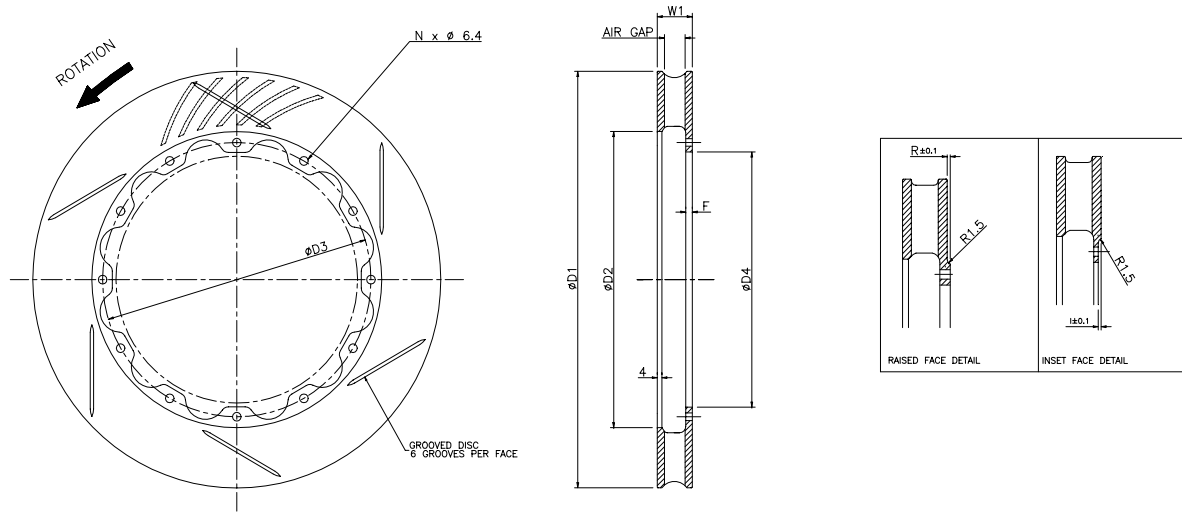
- 48 curved vanes
- 6 grooves per friction face
- Ø6.4mm mounting holes for ¼ UNF bolts to enable fitment to rigid or floating bells

advantage ventilated discs

## Installation

**Discs are handed:** install discs with vanes in the same orientation to the direction of rotation as shown in the drawing below

## Installation dimensions



Part Numbers Advantage Reference	Dimensions (mm)							Mounting Details		Air Gap	Weight Kg
	D1	D2	D3	D4	N	W1	F	I	R		
DV256/25/47-6/140L/R	256	162.5	139.7	125.7	6	25.4	4.6	-	-	10	3.8
DV267/21/56-6/140L/R	267	154.9	139.7	125.75	6	21	4.6	-	-	10	3.3
DV280/23/44-8/177L/R	280	192.75	176.75	159	8	22.9	4.6	-	-	10	3.7
DV280/25/53-8/159L/R	280	174	158.75	141	8	25.4	4.6	1.15	-	10	4.7
DV295/28/53-12/178L/R	295	189	177.8	164.35	12	28	5.5	-	-	14.7	4.8
DV295/25/53-12/178L/R	295	189	177.8	164.35	12	25.4	4.5	-	-	14.7	4.1
DV304/25/51-12/178L/R	304	203	177.8	164.3	12	25.4	4.6	-	-	14.7	4.3
DV304/28/55-12/178L/R	304	195	177.8	164.3	12	28	5.5	-	-	14.7	5.3
DV315/28/50-12/203L/R	315	215	203.2	190.5	12	28	5	-	-	16.3	4.9
DV325/2853-12/203L/R	325	220	203.2	190.5	12	28	5	-	-	16.3	5.4
DV330/32/55-12/203L/R	330	220	203.2	190.5	12	32	6	-	-	16.3	6.9
DV343/28/55-12/218L/R	343	233	218	204	12	28	5.5	-	1	18	5.6
DV355/28/54-12/235L/R	355	248	235	222	12	28	5.5	-	2	18	5.7
DV355/32/54-12/235L/R	355	248	235	222	12	32	6	-	-	18	7.1
DV378/32/48-12/260L/R	378	282	260.35	244	12	32	6	-	-	18	6.9

Every effort has been made during the preparation of this literature to ensure that the information provided is correct. However, our policy of continual product development means that we must reserve the right to change specifications without notice.

If you require further details of this or any other Alcon product, we will be pleased to provide the appropriate information.

We can also advise on the suitability of particular products in relation to specific applications.

E&OE